

**PLEASE CHECK WWW.MOLEX.COM FOR LATEST PART INFORMATION**

**Part Number:** [39910-0111](#)  
**Status:** **Active**  
**Overview:** Eurostyle™ Terminal Blocks  
**Description:** 10.16mm Beau™ Eurostyle™, Fixed Mount PCB Terminal Block, High Voltage, High Power 60A, 11 Circuits

**Documents:**

[3D Model](#) [RoHS Certificate of Compliance \(PDF\)](#)  
[Drawing \(PDF\)](#)

**Agency Certification**

UL E48521

**General**

Product Family Terminal Blocks  
 Series [39910](#)  
 Application N/A  
 Component Type One Piece  
 Overview [Eurostyle™ Terminal Blocks](#)  
 Product Name Eurostyle™ Fixed Mount  
 Type Euro Block  
 UPC 800756370163

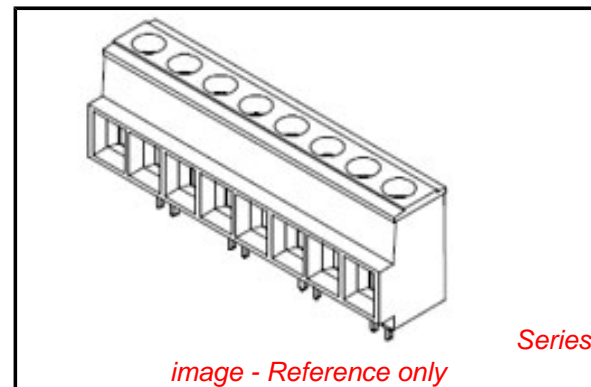
**Physical**

Circuits (Loaded) 11  
 Circuits (maximum) 11  
 Color - Resin Black  
 Entry Angle Horizontal  
 Flammability 94V-0  
 Lock to Mating Part None  
 Material - Metal Brass, Copper  
 Material - Plating Mating Tin  
 Material - Plating Termination Tin  
 Material - Resin Polyester  
 Number of Rows 1  
 Orientation Vertical  
 PC Tail Length 4.10mm  
 PCB Retention None  
 Panel Mount No  
 Pitch - Mating Interface 10.16mm  
 Pitch - Termination Interface 10.16mm  
 Plating min - Mating 3.810µm  
 Plating min - Termination 3.810µm  
 Polarized to Mating Part Yes  
 Shrouded Fully  
 Stackable No  
 Surface Mount Compatible (SMC) No  
 Temperature Range - Operating 130°C  
 Termination Interface: Style Through Hole  
 Wire Size AWG 10, 12, 14, 16, 18, 6, 8  
 Wire Size mm² 0.75 - 10.0

**Electrical**

Current - Maximum per Contact 60A  
 Voltage - Maximum 600V

**Material Info**



*image - Reference only*

**EU RoHS**

**ELV and RoHS  
Compliant**

**REACH SVHC**

Not Reviewed

**Low-Halogen Status**

Not Reviewed

**China RoHS**



**Need more information on product  
environmental compliance?**

Email [productcompliance@molex.com](mailto:productcompliance@molex.com)  
 For a multiple part number RoHS Certificate of Compliance, [click here](#)

Please visit the [Contact Us](#) section for any non-product compliance questions.

**Search Parts in this Series**

[39910Series](#)

**Mates With**

N/A

Old Part Number

910511

**Reference - Drawing Numbers**

Sales Drawing

SD-39910-001

This document was generated on 12/22/2014

**PLEASE CHECK [WWW.MOLEX.COM](http://WWW.MOLEX.COM) FOR LATEST PART INFORMATION**